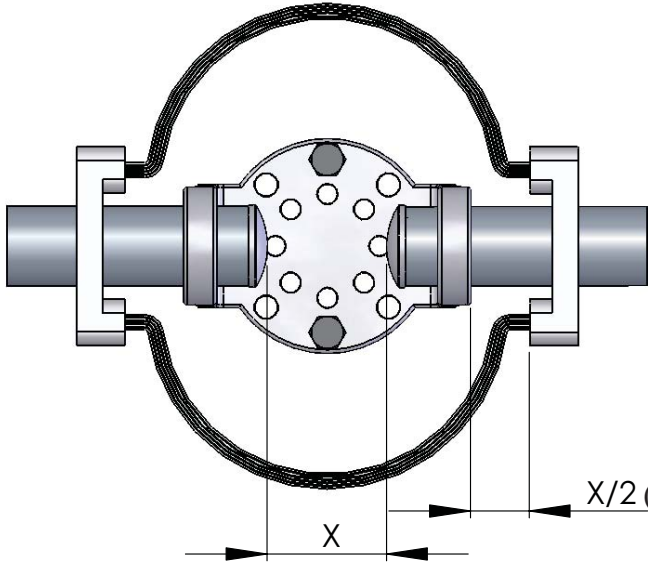
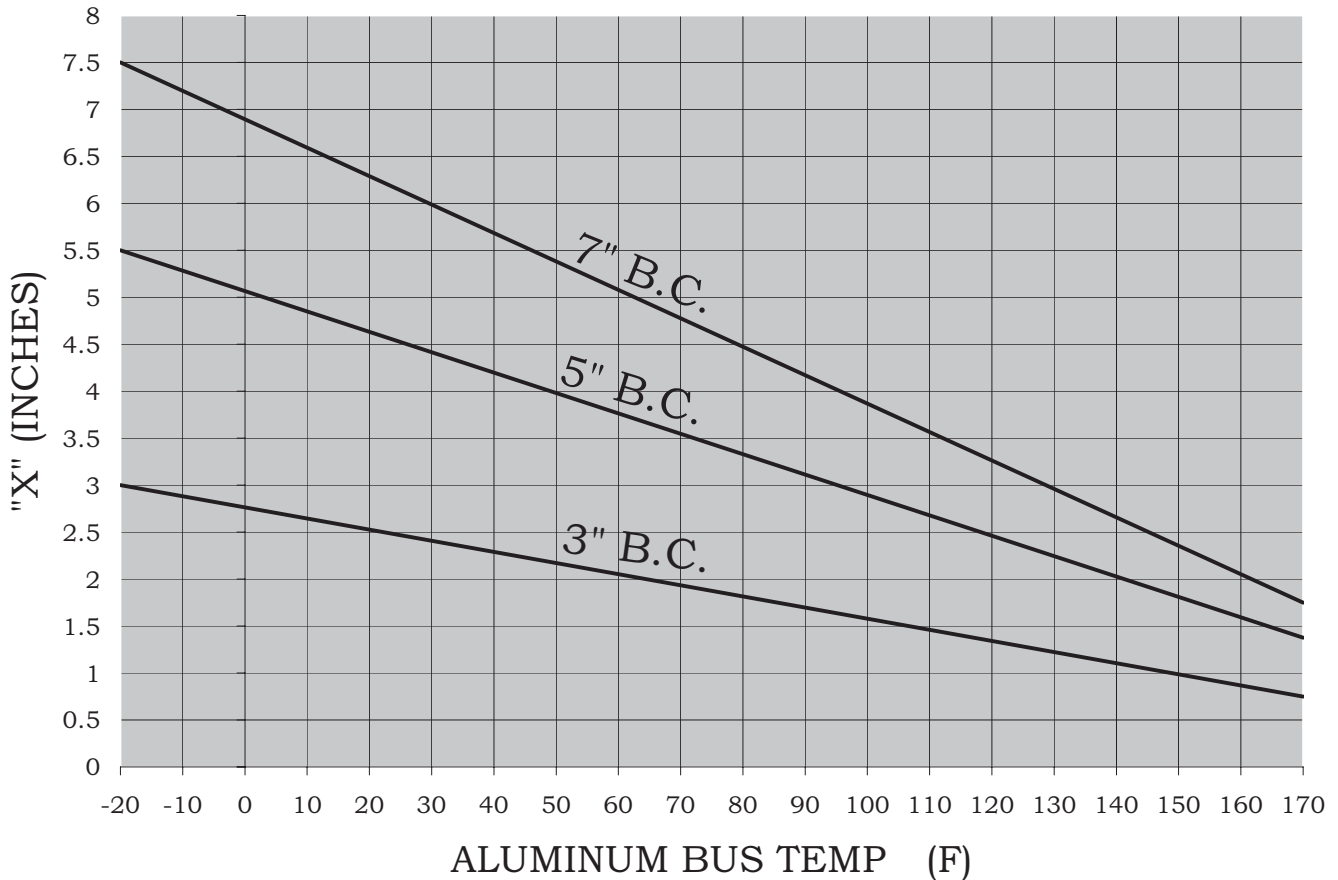


EXPANSION SUPPORT INSTALLATION INSTRUCTIONS

CHART INSTRUCTIONS



1. Locate bus temperature at bottom of chart
2. Using the diagonal line for maximum bus length of
 240ft.(120ft per side)-----7"B.C.
 160ft.(80ft. per side)-----5"B.C.
 80ft. (40ft per side)-----3"B.C.
 Find the appropriate dimension "X"
3. "X" measurement to be taken with the end plugs in stalled.



EXPANSION TERMINAL INSTALLATION INSTRUCTIONS

CHART INSTRUCTIONS

1. Locate bus temperature at bottom of chart
2. Using the diagonal line for maximum bus length of 140ft. find the appropriate dimension "X".
3. The chart may only be used for bus lengths less than 140ft.

