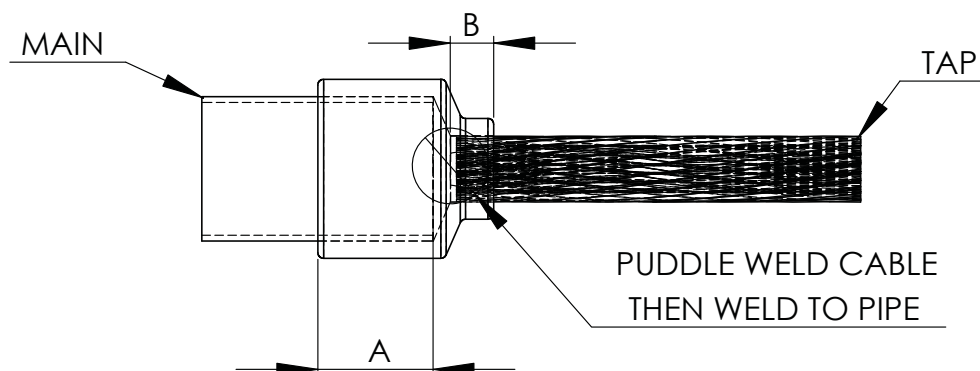


ALUMINUM WELDMENT CONNECTORS PIPE TO CABLE COUPLER REDUCER

SECTION

18-12



CATALOG NUMBER	PIPE SIZE IPS	DIMENSIONS IN INCHES	
		A	B
18-933*	1/2	1	3/4
18-941*	3/4	1	3/4
18-949*	1	1 1/4	3/4
18-957*	1 1/4	1 1/4	3/4
18-965*	1 1/2	1 1/2	3/4
18-973*	2	1 3/4	3/4
18-990*	2 1/2	2	3/4
18-1007*	3	2 1/4	1 1/2
18-1016*	3 1/2	2 1/2	1 1/2
18-1029*	4	2 1/2	1 1/2
18-1042*	4 1/2	2 3/4	1 1/2
18-1055*	5	2 3/4	1 1/2
18-1067*	6	3	1 1/2

Made of a lightweight aluminum alloy for high conductivity and natural resistance to corrosion and stress, the economical type WRTC secures a cable to a tubular bus permanently.

*Specify cable size as a suffix.

Example: 2" IPS main to a 477AAC tap, 18-973-477AAC.

