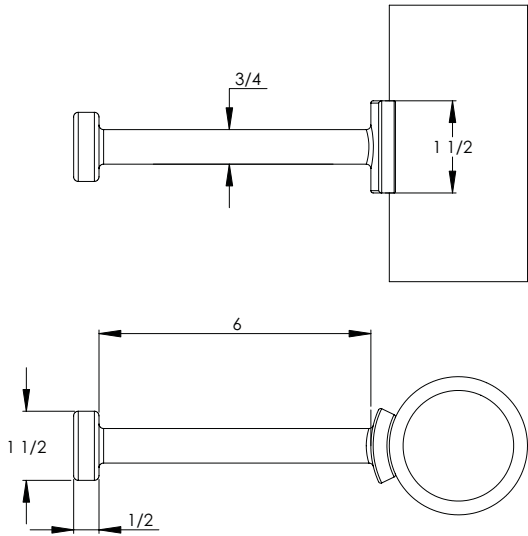


ALUMINUM WELDMENT CONNECTORS GROUNDING STUD

SECTION 18-17



ALUMINUM WELDMENT CONNECTORS GROUNDING STUD		
CATALOG NUMBER	PIPE SIZE IPS	
18-1280-WR	1-6	

Lightweight and durable, the Type GS stud temporarily grounds out dead bus for purposes of safety during maintenance operations on substation equipment.

