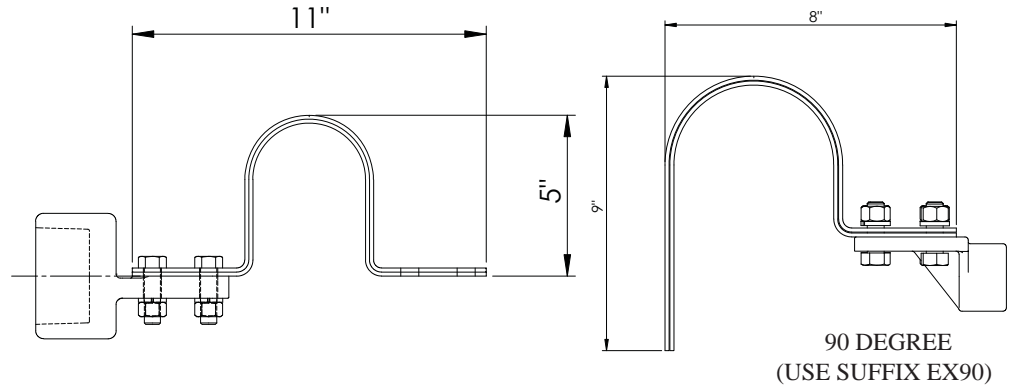
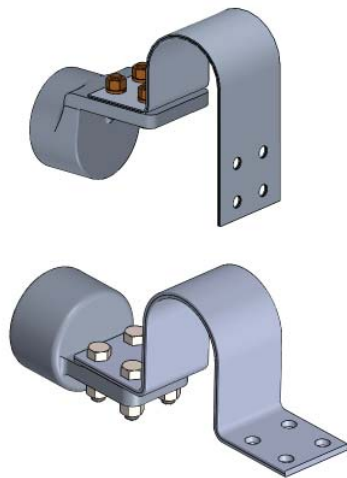


SECTION

18-1E-EX

ALUMINUM WELDMENT EXPANSION CONNECTORS PIPE TO FLAT PAD



With a high conductivity aluminum alloy, the type WATEX secures a tube to flat bar bus with a flexible connection.

Center formed NEMA pads are standard.

Aluminum pad surface is coated with contacts sealant and bolted to laminated shunt at factory. Preformed copper laminated shunt has tin plated contacts.

Use suffix EX90 for 90 degree expansion terminal as illustrated.

CATALOG NUMBER	PIPE MAIN IPS	PAD STYLE	DIMENSIONS IN INCHES			PAD THICKNESS
			A	B	C	
18-101E-EX	1/2	B	4 5/8	1 1/4	15/16	3/8
18-102E-EX	1/2	C	4 5/8	1 1/4	15/16	3/8
18-103E-EX	1/2	D	5 5/8	1 1/4	15/16	3/8
18-104E-EX	3/4	B	4 3/4	1 1/4	1	3/8
18-105E-EX	3/4	C	4 1/8	1	1	3/8
18-106E-EX	3/4	D	4 1/2	1	1	3/8
18-107E-EX	1	B	5	1 3/4	1 1/8	3/8
18-108E-EX	1	C	5	1 3/8	1 1/8	3/8
18-109E-EX	1	D	6	1 3/8	1 1/8	3/8
18-110E-EX	1 1/4	B	5 1/8	1 1/2	1 1/4	3/8
18-111E-EX	1 1/4	C	4 1/2	1 3/8	1 1/4	3/8
18-112E-EX	1 1/4	D	5 1/2	1 3/8	1 1/4	3/8
18-113E-EX	1 1/2	B	5 1/4	1 7/8	1 1/2	1/2
18-114E-EX	1 1/2	C	5	2	1 1/2	1/2
18-115E-EX	1 1/2	D	5 7/8	1 7/8	1 1/2	1/2
18-116E-EX	2	B	5 1/2	2	1 3/4	1/2
18-117E-EX	2	C	5 7/8	2 1/2	1 3/4	1/2
18-118E-EX	2	D	6	2	1 3/4	1/2
18-119E-EX	2 1/2	B	6	2 3/8	2 3/8	1/2
18-120E-EX	2 1/2	C	5 3/4	2 3/8	2 3/8	1/2
18-121E-EX	2 1/2	D	6 7/8	2 3/8	2 3/8	1/2
18-123E-EX	3	C	6	2 3/4	2 3/8	5/8
18-124E-EX	3	D	7 1/8	2 5/8	2 3/8	5/8
18-126E-EX	3 1/2	C	6 1/8	2 5/8	2 5/8	3/4
18-127E-EX	3 1/2	D	7 1/8	2 5/8	2 5/8	3/4
18-130E-EX	4	D	7 5/8	3 1/8	2 7/8	3/4
18-133E-EX	4 1/2	D	7 5/8	3 1/8	2 7/8	3/4
18-136E-EX	5	D	7 5/8	3 1/8	3 3/8	1
18-139E-EX	6	D	8 1/4	3 3/4	4	1 1/8