

# ALUMINUM WELDMENT PIPE TO ANGLE PIPE, VEE

SECTION

18-4

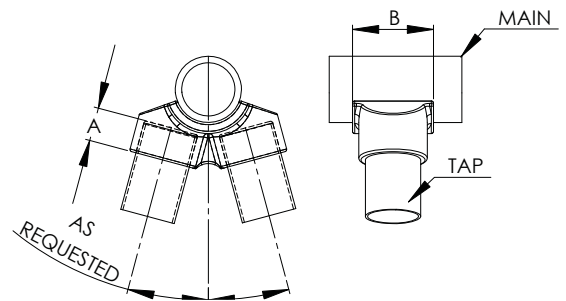
CATALOG NUMBER	IPS MAIN	IPS TAP	DIMENSIONS IN INCHES	
			A	B
18-322	1/2	1/2	3/4	3 1/4
18-323	3/4	1/2	3/4	3 1/4
18-324	3/4	3/4	3/4	3 1/4
18-325	1	1/2	3/4	3 1/4
18-326	1	3/4	3/4	3 1/4
18-327	1	1	1	3 1/2
18-328	1 1/4	1/2	3/4	3 1/4
18-329	1 1/4	3/4	3/4	3 1/4
18-330	1 1/4	1	1	3 1/2
18-331	1 1/4	1 1/4	7/8	3 3/8
18-332	1 1/2	1/2	3/4	3 1/4
18-333	1 1/2	3/4	3/4	3 1/4
18-334	1 1/2	1	1	3 1/2
18-335	1 1/2	1 1/4	7/8	3 3/8
18-336	1 1/2	1 1/2	1 3/8	4
18-337	2	1/2	3/4	3 1/4
18-338	2	3/4	3/4	3 1/4
18-339	2	1	1 1/4	3
18-340	2	1 1/4	7/8	3 3/8
18-341	2	1 1/2	1 1/2	3 1/4
18-342	2	2	1 3/4	3
18-343	2 1/2	1/2	1 1/4	3
18-344	2 1/2	3/4	1 1/4	3
18-345	2 1/2	1	1 1/4	3
18-346	2 1/2	1 1/4	1 1/4	3
18-347	2 1/2	1 1/2	1 3/4	3 1/4
18-348	2 1/2	2	1 1/2	3 3/4
18-349	2 1/2	2 1/2	1 1/8	3 3/4
18-350	3	1/2	3/4	3 1/4
18-351	3	3/4	3/4	3 1/4
18-352	3	1	1	3 1/2
18-353	3	1 1/4	1 1/4	3
18-354	3	1 1/2	1 3/8	3 3/8
18-355	3	2	2 1/4	4 5/8
18-356	3	2 1/2	1 3/8	3 5/8
18-357	3	3	2	5
18-358	3 1/2	1/2	3/4	3 1/4
18-359	3 1/2	3/4	3/4	3 1/4
18-360	3 1/2	1	1	3 1/2
18-361	3 1/2	1 1/4	1 1/4	3 3/4
18-362	3 1/2	1 1/2	1 3/8	4
18-363	3 1/2	2	1 5/8	3 5/8
18-364	3 1/2	2 1/2	1 3/4	4 5/8
18-365	3 1/2	3	2	6
18-366	3 1/2	3 1/2	2 1/8	4 3/4
18-367	4	1/2	3/4	3 1/4
18-368	4	3/4	3/4	3 1/4
18-369	4	1	1	3 1/2



For joining a pipe main to taps whose angles vary from the perpendicular, the type TTWV offers economy and performance. Cast of a high conductivity, lightweight, and corrosion-resistant aluminum alloy, it can be used in self-supporting A-frame structures.

To insure maximum efficiency in filling the order, the varying angles should be designated by means of a suffix added to the catalog number.

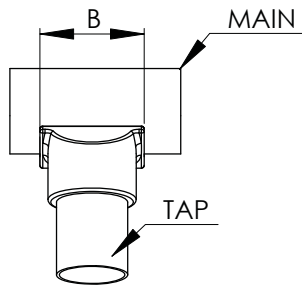
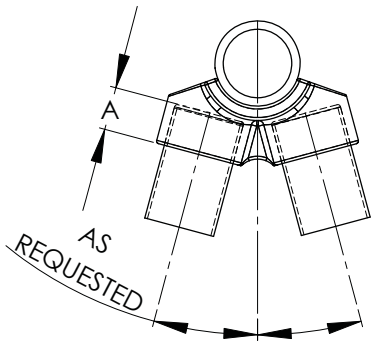
**Example:** a 15 degree angle tap for catalog number 18-322, for should be ordered as 18-322-15.



Continued on next page

ALUMINUM WELDMENT PIPE TO  
ANGLE PIPE, VEE, continued

Continued from previous page



CATALOG NUMBER	IPS MAIN	IPS TAP	DIMENSIONS IN INCHES	
			A	B
18-370	4	1 1/4	1 1/4	3 3/4
18-371	4	1 1/2	1 3/8	4
18-372	4	2	2	4
18-373	4	2 1/2	1 5/8	4 3/4
18-374	4	3	2 1/4	6
18-375	4	3 1/2	1 7/8	6 1/4
18-376	4	4	3 3/8	5 7/8
18-377	4 1/2	1/2	3/4	3 1/4
18-378	4 1/2	3/4	3/4	3 1/4
18-379	4 1/2	1	1	3 1/2
18-380	4 1/2	1 1/4	1 1/4	3 3/4
18-381	4 1/2	1 1/2	1 3/8	4
18-382	4 1/2	2	2 1/4	4 5/8
18-383	4 1/2	2 1/2	1 3/4	5 1/8
18-384	4 1/2	3	2	6
18-385	4 1/2	3 1/2	1 7/8	6 1/4
18-386	4 1/2	4	2	6
18-387	4 1/2	4 1/2	2 1/4	7 1/2
18-388	5	1/2	3/4	3 1/4
18-389	5	3/4	3/4	3 1/4
18-390	5	1	1	3 1/2
18-391	5	1 1/4	1 1/4	3 3/4
18-392	5	1 1/2	1 3/8	4
18-393	5	2	1 5/8	4 5/8
18-394	5	2 1/2	1 7/8	6
18-395	5	3	2 1/4	6
18-396	5	3 1/2	2	5 5/8
18-397	5	4	2 3/4	5 1/2
18-398	5	4 1/2	3	7 1/8
18-399	5	5	3	7 1/8
18-400	6	1/2	3/4	3 1/4
18-401	6	3/4	3/4	3 1/4
18-402	6	1	1	3 1/2
18-403	6	1 1/4	1 1/4	3 3/4
18-404	6	1 1/2	1 3/8	4
18-405	6	2	2	4 1/4
18-406	6	2 1/2	2	4 1/4
18-407	6	3	3	5 5/8
18-408	6	3 1/2	1 7/8	6 1/4
18-409	6	4	2 7/8	6 1/8
18-410	6	4 1/2	2 1/4	7 1/2
18-411	6	5	2 1/2	8
18-412	6	6	3 1/4	8 5/8