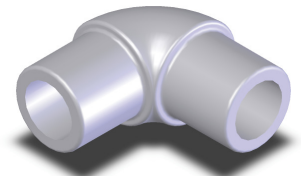
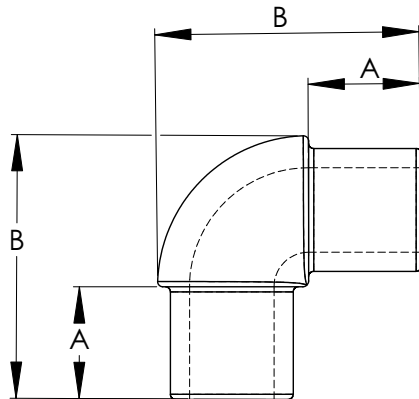


ALUMINUM WELDMENT CONNECTORS PIPE TO PIPE, ELBOW

SECTION

18-8

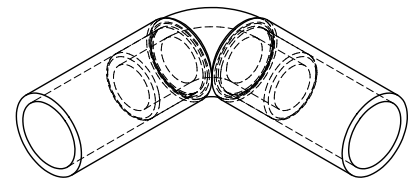
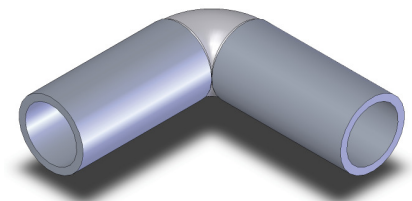


A rugged connector for linking pipes of the same size at an angle with permanence and reliability, the economical Type WTE depends on its high conductivity, lightweight aluminum alloy casting for resistance to corrosion and stress in the field.

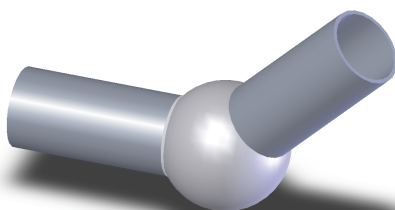
Varying angles should be properly designated as a suffix to the catalog number. If, for instance, a 45 degree angle were requested for catalog number 18-649, the number should be written on the order as 18-649-45.

ALUMINUM WELDMENT CONNECTORS PIPE TO PIPE, ELBOW

CATALOG NUMBER	PIPE SIZE IPS	DIMENSIONS IN INCHES	
		A	B
18-649	1/2	1/2	1 1/2
18-650	3/4	3/4	2 1/4
18-651	1	1	2 7/8
18-652	1 1/4	2	3 3/4
18-653	1 1/2	1 1/4	3 1/2
18-654	2	2	5
18-655	2 1/2	2	5 1/2
18-656	3	3	7
18-657	3 1/2	1 1/2	6
18-658	4	4 1/2	9 1/2
18-659	4 1/2	4 1/2	9 1/2
18-660	5	2 1/2	9 1/4
18-661	6	3	9 1/2



For applications requiring odd or undefined angles the multi angle coupler (MAC) series provides a convenient and flexible solution.



WELDED MULTI ANGLED COUPLERS, PIPE TO PIPE

CATALOG NUMBER	PIPE SIZE	
	IPS	BALL DIA.
18-MAC-5	1 1/2 - 4	5
18-MAC-8	3 - 5	8
18-MAC-12	5 - 6	12