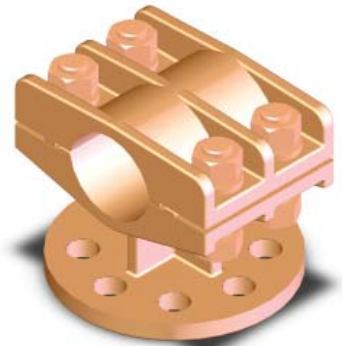
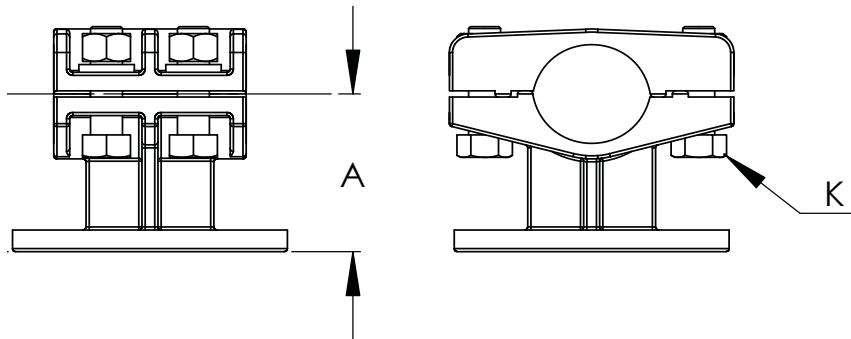


BRONZE BUS SUPPORTS PEDESTAL TYPE

SECTION

19-1



CATALOG NUMBER	MOUNTING BOLT CIRCLE	PIPE SIZE IPS	DIMENSIONS IN INCHES	
			A	K
19-101	3	1/2	1 3/4	3/8
19-102	5	1/2	2 1/8	3/8
19-103	3	3/4	2	1/2
19-104	5	3/4	2 1/4	1/2
19-105	3	1	2	1/2
19-106	5	1	2 1/4	1/2
19-107	3	1 1/4	2 1/4	1/2
19-108	5	1 1/4	2 3/8	1/2
19-109	3	1 1/2	2 1/2	1/2
19-110	5	1 1/2	2 1/2	1/2
19-111	3	2	2 3/4	1/2
19-112	5	2	2 3/4	1/2
19-113	3	2 1/2	3 1/8	5/8
19-114	5	2 1/2	3 1/8	5/8
19-115	3	3	3 5/8	5/8
19-116	5	3	3 5/8	5/8
19-117	3	3 1/2	4	5/8
19-118	5	3 1/2	4	5/8
19-119	3	4	4 1/2	5/8
19-120	5	4	4 1/2	5/8
19-121	3	4 1/2	5	5/8
19-122	5	4 1/2	5	5/8
19-123	3	5	4 7/8	5/8
19-124	5	5	4 7/8	5/8
19-125	3	6	5 1/2	5/8
19-126	5	6	5 1/2	5/8

A heavy duty connector for joining a pipe bus to an insulator cap, the type RFSS combines the rugged durability of its copper alloy casting with the strength and resistance to corrosion of its silicon bronze clamping hardware.

Steel galvanized bolts and lockwashers are included for mounting to the insulator cap. All bolt heads are recessed for single wrench installation.

For rotation and angular adjustment, the base of the bus support features eight holes. An added feature of this connector is the reversible bus support cap to allow for either slip or tight-fit applications.

Static springs standard.

