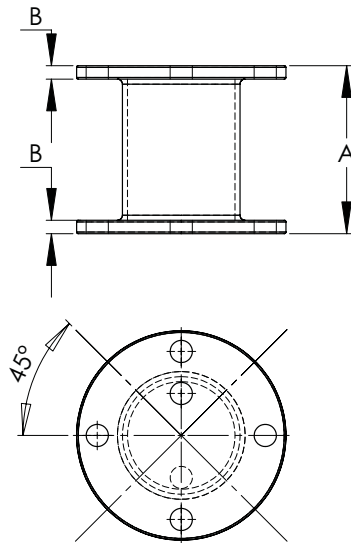


GALVANIZED STEEL BUS SUPPORTS HEIGHT ADAPTER

SECTION

19-11



GALVANIZED STEEL BUSS SUPPORT HEIGHT ADAPTER			
CATALOG NUMBER	MOUNTING BOLT CIRCLE	DIMENSIONS IN INCHES	
		A	B
19-1709	3	2	3/8
19-1710	5	2	1/2
19-1711	3	2 1/2	3/8
19-1712	5	2 1/2	1/2
19-1713	3	3	3/8
19-1714	5	3	1/2
19-1715	3	3 1/2	3/8
19-1716	5	3 1/2	1/2
19-1717	3	4	3/8
19-1718	5	4	1/2
19-1719	3	4 1/2	3/8
19-1720	5	4 1/2	1/2
19-1721	3	5	3/8
19-1722	5	5	1/2
19-1723	3	6	1/2
19-1724	5	6	1/2

Made of galvanized steel, the Type S is used where increased clearance is required or where adjustments are necessary to compensate for height variations in existing structures.