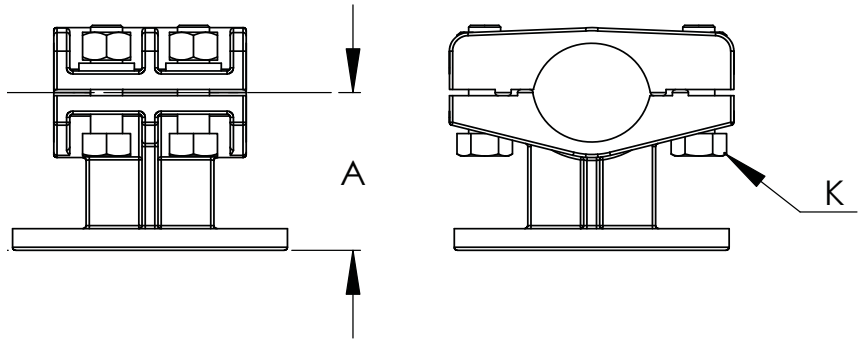


SECTION

19-1A

**ALUMINUM BUS SUPPORTS
PEDESTAL TYPE**



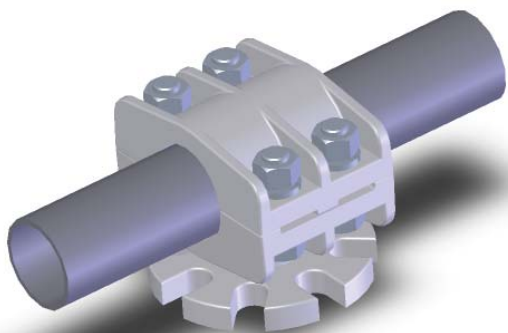
Cast of a lightweight aluminum alloy, the type ARFSS connects a bus to an insulator cap and includes bolts, nuts, and lockwashers of high tensile aluminum for clamping efficiency and resistance to corrosion.

All bolt heads are captivated for single wrench installation. Steel galvanized bolts and lockwashers are included for mounting to the insulator cap.

The base of the bus support features eight holes for rotation and angular adjustment. A special feature of this connector is the reversible bus support cap which permits either slip or tight fit applications.

Static spring is standard.

CATALOG NUMBER	MOUNTING BOLT CIRCLE	PIPE SIZE IPS	DIMENSIONS IN INCHES	
			A	K
19-127	3	1/2	1 3/4	1/2
19-128	5	1/2	2 1/8	1/2
19-129	3	3/4	2	1/2
19-130	5	3/4	2 1/4	1/2
19-131	3	1	2	1/2
19-132	5	1	2 1/4	1/2
19-133	3	1 1/4	2 1/4	1/2
19-134	5	1 1/4	2 3/8	1/2
19-135	3	1 1/2	2 1/2	1/2
19-136	5	1 1/2	2 1/2	1/2
19-137	3	2	2 3/4	1/2
19-138	5	2	2 3/4	1/2
19-139	3	2 1/2	3 1/8	5/8
19-140	5	2 1/2	3 1/8	5/8
19-141	3	3	3 5/8	5/8
19-142	5	3	3 5/8	5/8
19-143	3	3 1/2	4	5/8
19-144	5	3 1/2	4	5/8
19-145	3	4	4 1/2	5/8
19-146	5	4	4 1/2	5/8
19-147	3	4 1/2	4 7/8	5/8
19-148	5	4 1/2	4 7/8	5/8
19-149	3	5	5	5/8
19-150	5	5	5	5/8
19-151	3	6	5 1/2	5/8
19-152	5	6	5 1/2	5/8



Example:

For a 7" bolt circle, add the descriptor "7BC" into the product number.
EX: 19-152-7BC