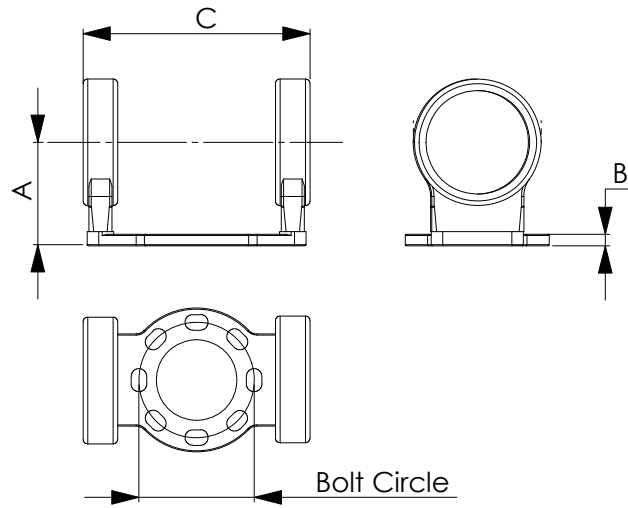


ALUMINUM WELDMENT CONNECTORS OPEN BASE BUS SUPPORT

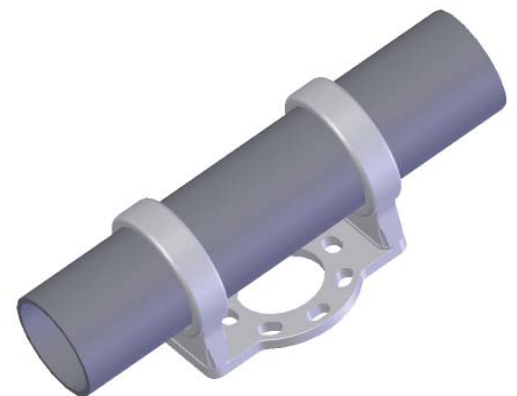
SECTION

19-5



ALUMINUM WELDMENT CONNECTORS OPEN BASE BUS SUPPORT					
CATALOG NUMBER	MOUNTING BOLT CIRICLE	PIPE SIZE IPS	DIMENSIONS IN INCHES		
			A	B	C
19-1221	3	1/2	1 3/4	9/16	7 1/4
19-1222	5	1/2	2 1/8	5/8	9 3/4
19-1223	3	3/4	2	9/16	7 1/4
19-1224	5	3/4	2 1/4	5/8	9 3/4
19-1225	3	1	2	9/16	7 1/4
19-1226	5	1	2 1/4	5/8	9 3/4
19-1227	3	1 1/4	2 1/4	9/16	7 1/4
19-1228	5	1 1/4	2 3/8	5/8	9 3/4
19-1229	3	1 1/2	2 1/2	9/16	7 1/4
19-1230	5	1 1/2	2 1/2	5/8	9 3/4
19-1231	3	2	2 3/4	9/16	7 1/8
19-1232	5	2	2 3/4	5/8	9 5/8
19-1233	3	2 1/2	3 1/8	9/16	7 3/8
19-1234	5	2 1/2	3 1/8	5/8	9 1/4
19-1235	3	3	3 5/8	9/16	7 3/8
19-1236	5	3	3 5/8	5/8	9 3/4
19-1237	3	3 1/2	4	9/16	7 3/8
19-1238	5	3 1/2	4	5/8	9 5/8
19-1239	3	4	4 1/2	9/16	7 1/2
19-1240	5	4	4 1/2	5/8	10 1/2
19-1240-7BC	7	4	4 1/2	5/8	12 5/8
19-1241	3	4 1/2	4 3/4	9/16	7 1/2
19-1242	5	4 1/2	4 3/4	5/8	10 1/8
19-1242-7BC	7	4 1/2	4 3/4	5/8	12 5/8
19-1243	3	5	4 7/8	9/16	10 3/8
19-1244	5	5	4 7/8	5/8	10 1/8
19-1244-7BC	7	5	4 7/8	5/8	12 5/8
19-1245	3	6	5 3/8	9/16	10 3/8
19-1246	5	6	5 3/8	5/8	10 1/8
19-1246-7BC	7	6	5 3/8	5/8	12 5/8

Cast of a lightweight and corrosion resistant aluminum alloy, the Type WBS features eight holes for rotation and angular adjustment. Steel galvanized bolts and lockwashers are included for mounting to the insulator cap.



For static springs add suffix “-SE” to the part number