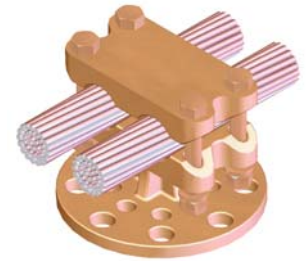
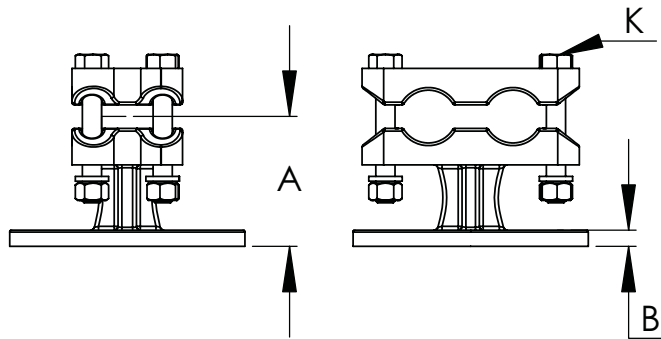


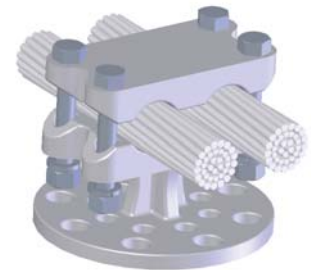
BRONZE / ALUMINUM DOUBLE CABLE BUS SUPPORTS

SECTION 19-6-2CND



Bronze Cable Bus Supports
The Type CSB also features high-strength silicon bronze clamping hardware for strength and resistance to corrosion. All bolt heads are captivated to permit single-wrench installation. For purposes of rotation and angular adjustment, the base of the bus support has eight holes. Steel galvanized bolts and lock-washers are included for mounting to insulator.

| BRONZE BUS SUPPORTS DOUBLE CABLE | | | | | | |
|-------------------------------------|-----|--------------------------|------|----------------------|-----|-----|
| CATALOG NUMBER | MBC | CABLE SIZE AWG or MCM | | DIMENSIONS IN INCHES | | |
| | | MIN. | MAX. | A | B | K |
| 19-387-2COND | 3 | 8 | 600 | 2 | 3/8 | 3/8 |
| 19-388-2COND | 5 | 8 | 600 | 2 | 3/8 | 3/8 |
| 19-389-2COND | 3 | 4/0 | 1000 | 2 1/2 | 3/8 | 1/2 |
| 19-390-2COND | 5 | 4/0 | 1000 | 2 1/2 | 1/2 | 1/2 |
| 19-391-2COND | 3 | 1000 | 1500 | 2 1/2 | 3/8 | 1/2 |
| 19-392-2COND | 5 | 1000 | 1500 | 3 | 1/2 | 1/2 |
| 19-393-2COND | 3 | 1500 | 2000 | 3 1/2 | 3/8 | 1/2 |
| 19-394-2COND | 5 | 1500 | 2000 | 3 1/2 | 1/2 | 1/2 |



The Type ASB features clamping hardware made of high tensile aluminum for resistance to corrosion and recessed bolt heads for single wrench installation. Steel galvanized bolts and lockwashers are included for mounting the connector to the insulator cap. The eight holes in the base of the bus support permit rotation and angular adjustment.

| ALUMINUM BUS SUPPORTS DOUBLE CABLE | | | | | | | | |
|---------------------------------------|-----|--------------------------------------|------|----------------------------------|------|----------------------|-----|-----|
| CATALOG NUMBER | MBC | ALUMINUM CABLE SIZE AWG or MCM | | ACSR CABLE SIZE AWG or MCM | | DIMENSIONS IN INCHES | | |
| | | MIN. | MAX. | MIN. | MAX. | A | B | K |
| 19-399-2COND | 3 | 4 | 954 | 4 | 795 | 2 1/2 | 3/8 | 1/2 |
| 19-400-2COND | 5 | 4 | 954 | 4 | 795 | 2 3/4 | 1/2 | 1/2 |
| 19-403-2COND | 3 | 954 | 2000 | 795 | 1590 | 3 1/4 | 3/8 | 5/8 |
| 19-404-2COND | 5 | 954 | 2000 | 795 | 1590 | 3 1/4 | 1/2 | 5/8 |