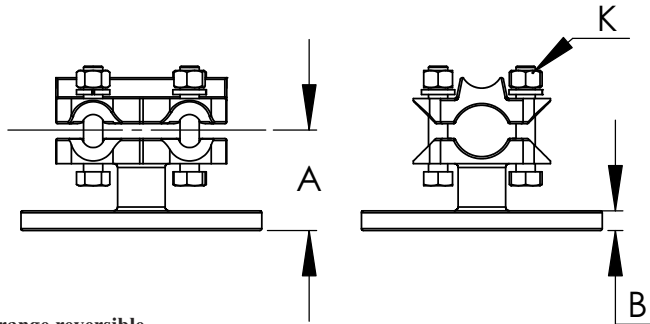
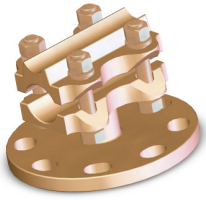


SECTION

19-6

BRONZE / ALUMINUM  
CABLE BUS SUPPORTS\*

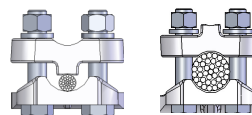
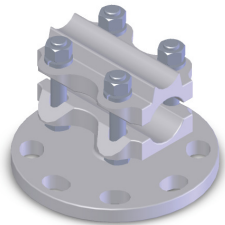


Wide range reversible caps are denoted by: \*

Bronze Cable Bus Supports

The Type CSB also features high-strength silicon bronze clamping hardware for strength and resistance to corrosion. All bolt heads are captivated to permit single-wrench installation. For purposes of rotation and angular adjustment, the base of the bus support has eight holes. Steel galvanized bolts and lock-washers are included for mounting to insulator.

BRONZE BUS SUPPORTS CABLE						
CATALOG NUMBER	MBC	CABLE SIZE AWG or MCM		DIMENSIONS IN INCHES		
		MIN.	MAX.	A	B	K
19-387*	3	8	600	2	3/8	3/8
19-388*	5	8	600	2	3/8	3/8
19-389*	3	4/0	1000	2 1/2	3/8	1/2
19-390*	5	4/0	1000	2 1/2	1/2	1/2
19-391	3	1000	1500	2 1/2	3/8	1/2
19-392	5	1000	1500	3	1/2	1/2
19-393	3	1500	2000	3 1/2	3/8	1/2
19-394	5	1500	2000	3 1/2	1/2	1/2



Wide range reversible caps are denoted by: \*

Aluminum Cable Bus Support

The Type ASB features clamping hardware made of high tensile aluminum for resistance to corrosion and recessed bolt heads for single wrench installation. Steel galvanized bolts and lockwashers are included for mounting the connector to the insulator cap. The eight holes in the base of the bus support permit rotation and angular adjustment.

ALUMINUM BUS SUPPORTS CABLE								
CATALOG NUMBER	MBC	ALUMINUM CABLE SIZE AWG or MCM		ACSR CABLE SIZE AWG or MCM		DIMENSIONS IN INCHES		
		MIN.	MAX.	MIN.	MAX.	A	B	K
19-399*	3	4	954	4	795	2 1/2	3/8	1/2
19-400*	5	4	954	4	795	2 3/4	1/2	1/2
19-403*	3	250	2000	4/0	1590	3 1/4	3/8	5/8
19-404*	5	250	2000	4/0	1590	3 1/4	1/2	5/8