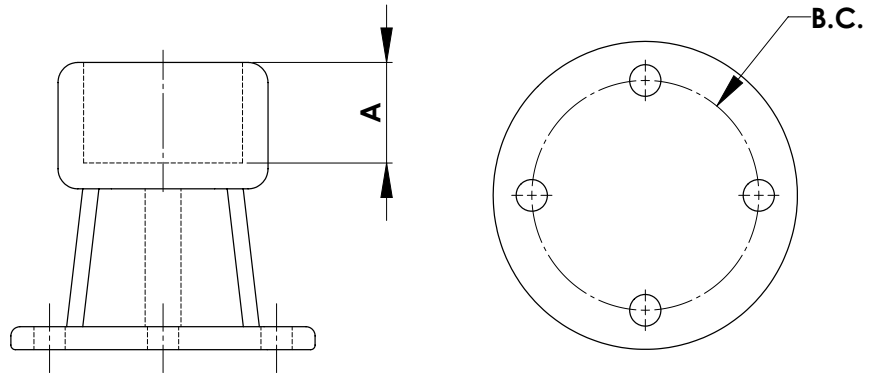
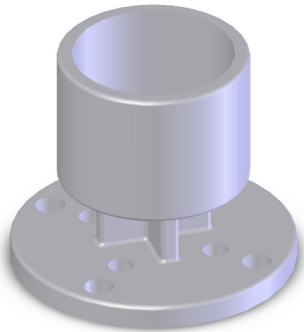


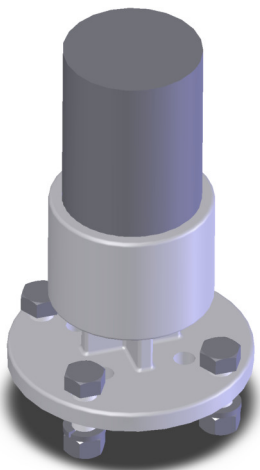
**SECTION**

**19-7**

**ALUMINUM WELDMENT CONNECTORS  
VERTICAL BUS SUPPORT**



Dependable because of its corrosion resistant aluminum casting, the type WESP is supplied with steel galvanized bolts and lockwashers for mounting to the insulator cap.



CATALOG NUMBER	MOUNTING BOLT CIRCLE	PIPE IPS SIZE	DIMENSIONS IN INCHES
			A
19-1247	3	1/2	1
19-1248	5	1/2	1
19-1249	3	3/4	1
19-1250	5	3/4	1
19-1251	3	1	1
19-1252	5	1	1
19-1253	3	1 1/4	1 1/8
19-1254	5	1 1/4	1 1/8
19-1255	3	1 1/2	1 1/8
19-1256	5	1 1/2	1 1/8
19-1257	3	2	1 3/4
19-1258	5	2	1 3/4
19-1259	3	2 1/2	1 3/4
19-1260	5	2 1/2	2
19-1261	3	3	2
19-1262	5	3	2
19-1263	3	3 1/2	2
19-1264	5	3 1/2	2
19-1265	3	4	2 1/2
19-1266	5	4	2 1/2
19-1267	3	4 1/2	2 1/2
19-1268	5	4 1/2	2 1/2
19-1269	3	5	2 5/8
19-1270	5	5	2 5/8
19-1271	3	6	3
19-1272	5	6	3

**Example:**  
For a 7" bolt circle, add the descriptor "7BC" into the product number.  
EX: 19-1272-7BC