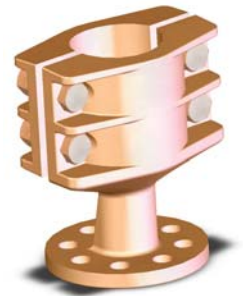
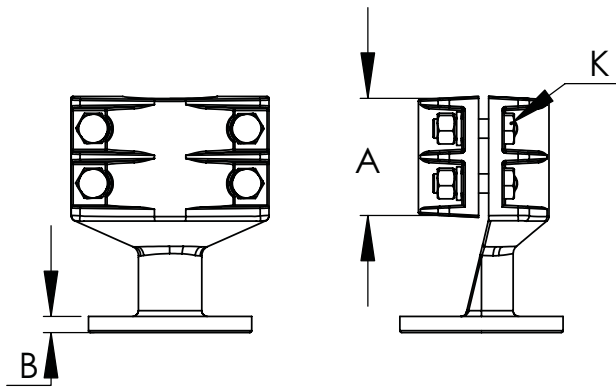


BRONZE BUS SUPPORTS VERTICAL PIPE

SECTION

19-8



BRONZE BUS SUPPORTS VERTICAL-PIPE					
CATALOG NUMBER	MOUNTING BOLT CIRCLE	PIPE SIZE IPS	DIMENSIONS IN INCHES		
			A	B	K
19-409	3	1/2	2 1/2	3/8	3/8
19-410	5	1/2	2 1/2	1/2	3/8
19-411	3	3/4	2 7/8	3/8	3/8
19-412	5	3/4	2 7/8	1/2	3/8
19-413	3	1	3 1/8	3/8	3/8
19-414	5	1	3 1/8	1/2	3/8
19-415	3	1 1/4	3 1/8	3/8	1/2
19-416	5	1 1/4	3 1/8	1/2	1/2
19-417	3	1 1/2	3 1/4	3/8	1/2
19-418	5	1 1/2	3 1/4	1/2	1/2
19-419	3	2	3 1/4	3/8	1/2
19-420	5	2	3 1/4	1/2	1/2
19-421	3	2 1/2	3 7/8	3/8	1/2
19-422	5	2 1/2	3 7/8	1/2	1/2
19-423	3	3	4	3/8	5/8
19-424	5	3	4	1/2	5/8
19-425	3	3 1/2	3 3/4	3/8	5/8
19-426	5	3 1/2	3 3/4	1/2	5/8
19-427	3	4	4 5/8	3/8	5/8
19-428	5	4	4 5/8	1/2	5/8
19-429	3	4 1/2	4 7/8	3/8	5/8
19-430	5	4 1/2	4 7/8	1/2	5/8
19-431	3	5	5	3/8	5/8
19-432	5	5	5	1/2	5/8
19-433	3	6	6	3/8	5/8
19-434	5	6	6	1/2	5/8

Cast of high strength bronze, the Type BBSP joins a vertical pipe to an insulator cap. It includes bolts, nuts, and lockwashers of silicon bronze for clamping efficiency and resistance to corrosion. Steel galvanized bolts and lockwashers are provided for mounting the bus support to the cap.

