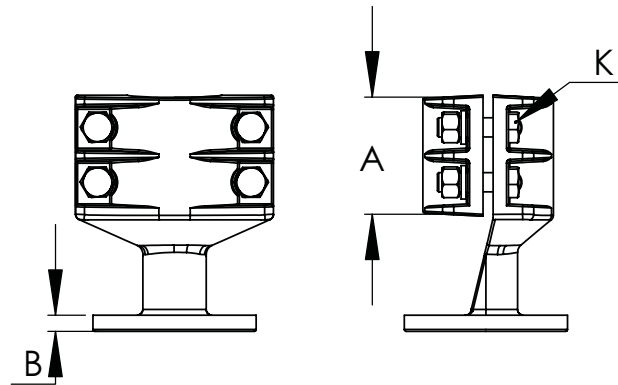


## SECTION

## 19-8A

ALUMINUM BUS SUPPORTS  
VERTICAL PIPE

An efficient means of joining a vertical pipe to an insulator cap, the Type ABSP made of a lightweight aluminum alloy features high-tensile aluminum clamping hardware for resistance to corrosion. Steel galvanized bolts and lockwashers are normally provided for mounting the connector to the insulator cap. Recessed bolt heads on the bus support itself help facilitate installation.

ALUMINUM BUS SUPPORTS VERTICAL-PIPE					
CATALOG NUMBER	MOUNTING BOLT CIRCLE	PIPE SIZE IPS	DIMENSIONS IN INCHES		
			A	B	K
19-435	3	1/2	2 1/2	3/8	1/2
19-436	5	1/2	2 1/2	1/2	1/2
19-437	3	3/4	2 7/8	3/8	1/2
19-438	5	3/4	2 7/8	1/2	1/2
19-439	3	1	3 1/8	3/8	1/2
19-440	5	1	3 1/8	1/2	1/2
19-441	3	1 1/4	3 1/8	3/8	1/2
19-442	5	1 1/4	3 1/8	1/2	1/2
19-443	3	1 1/2	3 1/4	3/8	1/2
19-444	5	1 1/2	3 1/4	1/2	1/2
19-445	3	2	3 1/4	3/8	1/2
19-446	5	2	3 1/4	1/2	1/2
19-447	3	2 1/2	3 7/8	3/8	5/8
19-448	5	2 1/2	3 7/8	1/2	5/8
19-449	3	3	4	3/8	5/8
19-450	5	3	4	1/2	5/8
19-451	3	3 1/2	3 3/4	3/8	5/8
19-452	5	3 1/2	3 3/4	1/2	5/8
19-453	3	4	4 5/8	3/8	5/8
19-454	5	4	4 5/8	1/2	5/8
19-455	3	4 1/2	4 7/8	3/8	5/8
19-456	5	4 1/2	4 7/8	1/2	5/8
19-457	3	5	5	3/8	5/8
19-458	5	5	5	1/2	5/8
19-459	3	6	6	3/8	5/8
19-460	5	6	6	1/2	5/8

