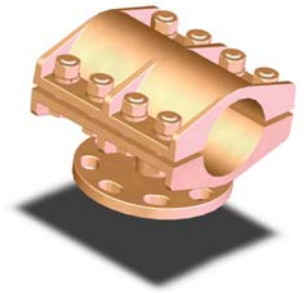
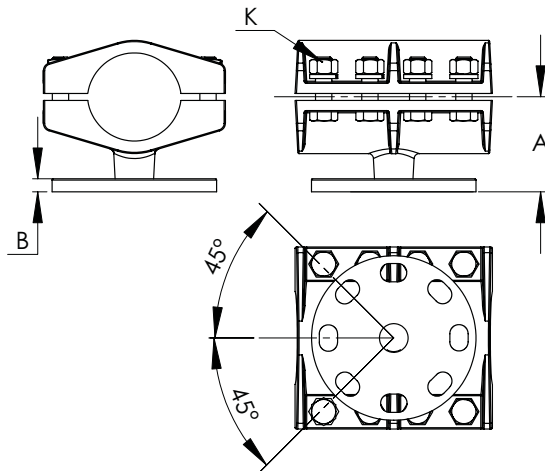


# BRONZE BUS SUPPORTS COUPLER SUPPORT

SECTION

19-9



BRONZE BUS SUPPORTS COUPLER SUPPORT						
CATALOG NUMBER	MOUNTING BOLT CIRCLE	PIPE SIZE IPS	DIMENSIONS IN INCHES			
			A	B	C	K
19-513	3	1/2	1 3/4	3/8	4 1/2	3/8
19-514	5	1/2	2 1/8	1/2	4 1/2	3/8
19-515	3	3/4	2	3/8	5	3/8
19-516	5	3/4	2 1/4	1/2	5	3/8
19-517	3	1	2	3/8	6	3/8
19-518	5	1	2 1/4	1/2	6	3/8
19-519	3	1 1/4	2 1/4	3/8	5 3/4	1/2
19-520	5	1 1/4	2 3/8	1/2	5 3/4	1/2
19-521	3	1 1/2	2 1/2	3/8	6 1/2	1/2
19-522	5	1 1/2	2 1/2	1/2	6 1/2	1/2
19-523	3	2	2 3/4	3/8	6 1/2	1/2
19-524	5	2	2 3/4	1/2	6 1/2	1/2
19-525	3	2 1/2	3 1/8	3/8	7 1/2	1/2
19-526	5	2 1/2	3 1/8	1/2	7 1/2	1/2
19-527	3	3	3 5/8	3/8	7	5/8
19-528	5	3	3 5/8	1/2	7	5/8
19-529	3	3 1/2	4	3/8	7 1/2	5/8
19-530	5	3 1/2	4	1/2	7 1/2	5/8
19-531	3	4	4 1/2	3/8	9	5/8
19-532	5	4	4 1/2	1/2	9	5/8
19-533	3	4 1/2	4 3/4	3/8	9 1/2	5/8
19-534	5	4 1/2	4 3/4	1/2	9 1/2	5/8
19-535	3	5	4 7/8	3/8	10	5/8
19-536	5	5	4 7/8	1/2	10	5/8
19-537	3	6	5 3/8	3/8	12	5/8
19-538	5	6	5 3/8	1/2	12	5/8

Featuring a copper alloy for high conductivity and natural resistance to corrosion and stress, the Type BCS acts as a combination bus support and coupler for tubing of the same size. Bolts, nuts, and lockwashers of silicon bronze insure maximum clamping efficiency. Steel galvanized bolts and lockwashers are provided for mounting the bus support to the insulator cap. To facilitate installation, all bolt heads are captivated. The eight holes at the base of the bus support permit rotation and angular adjustment whenever necessary.

