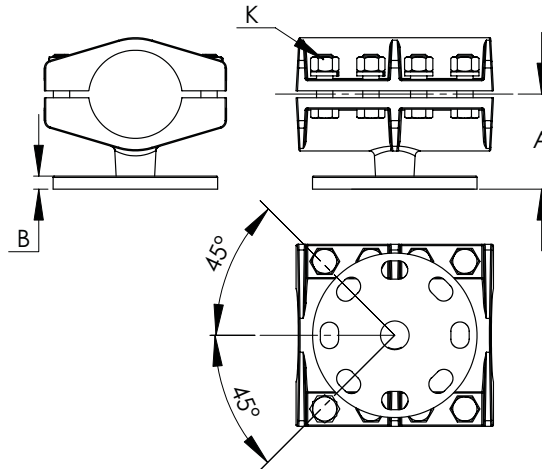
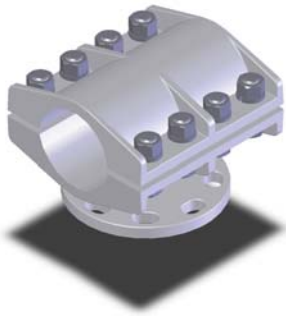


SECTION

19-9A

ALUMINUM BUS SUPPORTS
COUPLER SUPPORT

Made of a high conductivity lightweight aluminum alloy, the Type ACS acts as a combination bus support and coupler for pipe of the same size. Bolts, nuts, and lockwashers of high tensile aluminum insure clamping efficiency and resistance to wear in the field. Steel galvanized bolts and lockwashers are provided to guarantee strong mounting to the insulator cap. To permit single wrench installation, all bolt heads on the bus support itself are captivated. For purposes of rotation and angular adjustment, the base of the bus support features eight holes.

ALUMINUM
BUS SUPPORTS COUPLER SUPPORT

CATALOG NUMBER	MOUNTING BOLT CIRCLE	PIPE SIZE IPS	DIMENSIONS IN INCHES			
			A	B	C	K
19-539	3	1/2	1 3/4	3/8	4 1/2	1/2
19-540	5	1/2	2 1/8	1/2	4 1/2	1/2
19-541	3	3/4	2	3/8	5	1/2
19-542	5	3/4	2 1/4	1/2	5	1/2
19-543	3	1	2	3/8	6	1/2
19-544	5	1	2 1/4	1/2	6	1/2
19-545	3	1 1/4	2 1/4	3/8	5 3/4	1/2
19-546	5	1 1/4	2 3/8	1/2	5 3/4	1/2
19-547	3	1 1/2	2 1/2	3/8	6 1/2	1/2
19-548	5	1 1/2	2 1/2	1/2	6 1/2	1/2
19-549	3	2	2 3/4	3/8	6 1/2	1/2
19-550	5	2	2 3/4	1/2	6 1/2	1/2
19-551	3	2 1/2	3 1/8	3/8	7 1/2	5/8
19-552	5	2 1/2	3 1/8	1/2	7 1/2	5/8
19-553	3	3	3 5/8	3/8	7	5/8
19-554	5	3	3 5/8	1/2	7	5/8
19-555	3	3 1/2	4	3/8	7 1/2	5/8
19-556	5	3 1/2	4	1/2	7 1/2	5/8
19-557	3	4	4 1/2	3/8	9	5/8
19-558	5	4	4 1/2	1/2	9	5/8
19-559	3	4 1/2	4 3/4	3/8	9 1/2	5/8
19-560	5	4 1/2	4 3/4	1/2	9 1/2	5/8
19-561	3	5	4 7/8	3/8	10	5/8
19-562	5	5	4 7/8	1/2	10	5/8
19-563	3	6	5 3/8	3/8	12	5/8
19-564	5	6	5 3/8	1/2	12	5/8

